

# NOMAD<sup>®</sup> PRO

## VETERINARY Handheld X-ray System



# NOMAD<sup>®</sup> PRO

## VETERINARY Handheld X-ray System

### The fastest and easiest path to advanced veterinary radiography

The speed, convenience, and quality of the NOMAD Pro Veterinary Handheld X-ray System will change—and improve—the way you practice veterinary medicine.

**Portable** - Weighs just 5.5 pounds! Cordless design goes anywhere, in or out of the office.

**Extends Your Practice** - Excellent for dental, small animal, exotics, equine.

**Economical** - No installation, renovation, or re-wiring, no sacrificing cabinetry or shelves. Treat more patients faster with greater accuracy. Make every table an x-ray station.

**Easy to Use** - No heavy arms to manipulate. Easy to get difficult angles for faster diagnoses. Hundreds of first-class diagnostic images from one convenient charge.

**Versatile** - Optimized for veterinary dental—great for limbs and extremities. Sharp, clear images with film, digital sensor, or phosphor plate.

**Patient Friendly** - Quick diagnoses means less time under anesthesia. Take radiographs at difficult angles without contorting the patient, even during operatory procedures.

### Advantages of Handheld Radiography

- Handheld design allows operator to stay with patient during X-ray procedures
- Take radiographs twice as fast as with conventional X-ray systems
- Significantly reduces the number of retakes
- Handheld units can be moved room to room eliminating the need for multiple units
- Portability is ideal for clinics, animal hospitals, and out-of-office field work

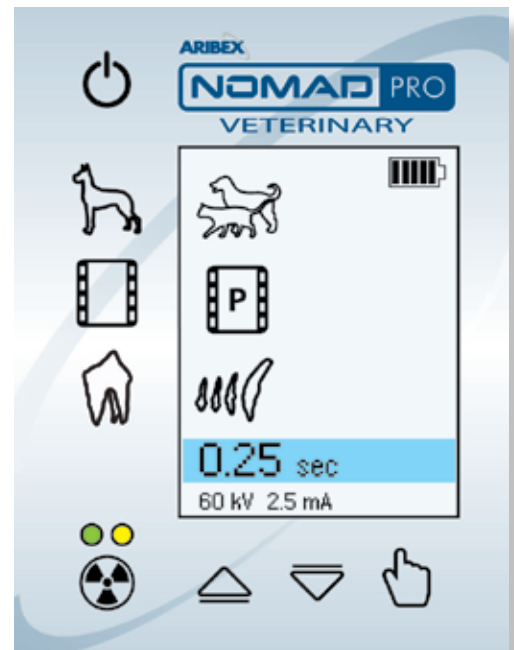


Contact your preferred veterinary supplier for more  
information on the NOMAD Pro Veterinary

# A Higher Level of Veterinary Care

## Advanced Features

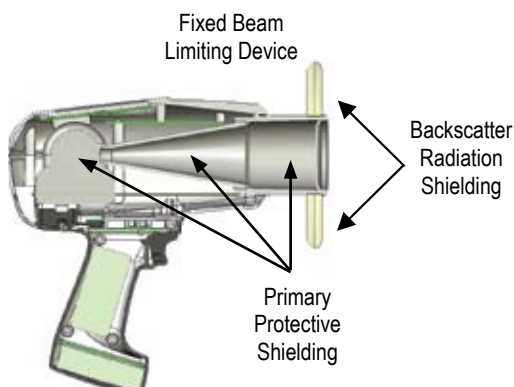
- Color LCD screen
- Simple controls quickly adjust exposure times
- Icons quickly identify
  - type and size of animal
  - image receptor
  - object being x-rayed
- Save custom exposure settings for fast recall



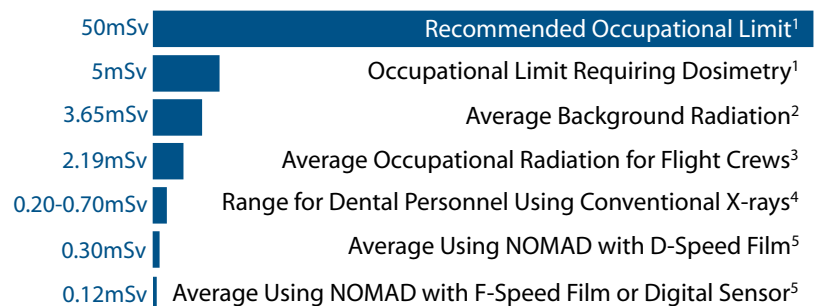
*Color LCD screen is optimized for veterinary dental with convenient icons and touch controls.*

## Safe for Handheld Use

The external backscatter shield and internal radiation shielding are specially designed to protect the operator from radiation exposure. In fact, the typical exposure from using the NOMAD Pro is much less than 1% of allowed occupational doses.



### Comparative Data for Whole Body Exposure (Annual)



Radiation exposure using the NOMAD Pro Veterinary, in millisieverts (mSv), is shown for a clinical scenario with one operator performing 7,200 x-rays per year. The occupational dose allowed by regulatory agencies is 50 mSv. Sources available on request.

**NOMAD<sup>®</sup> PRO** Tech Specs  
**VETERINARY**

Battery	Lithium Polymer, 22.2V, 1.25 Ahr
Anode voltage	60 kV true DC
Anode current	2.5 mA
Exposure time range	0.02 - 1.00 s
Focal spot	0.4 mm
Inherent filtration	>1.5 mm Al equivalent
Source to skin distance	20 cm
X-ray field	60 mm round
Maximum duty cycle	1:60
Total weight	2.5 kg (5.5 lbs.)
Approximate dimensions	W 15 cm L 27 cm H 25 cm (W 6.25" L 10.5" H 10")

NOMAD Pro Veterinary is designed and manufactured in compliance with IEC 60601-1, 60601-1-1, 60601-1-2, 60601-1-3, 60601-1-4, 60601-2-7, 60601-2-28, and with DHHS Rules 21 CFR Subchapter J, applicable at date of manufacture.

Protected by US patents #7,224,769 and #7,496,178. U.S. and foreign patents pending. Aribex, NOMAD and NOMAD Pro Veterinary are trademarks and/or registered trademarks of Aribex, Inc.



Aribex, Inc.  
 744 South 400 East  
 Orem, UT 84097 USA

Phone: 801-226-5522  
 Toll Free: 866-340-5522  
 Fax: 801-434-7233